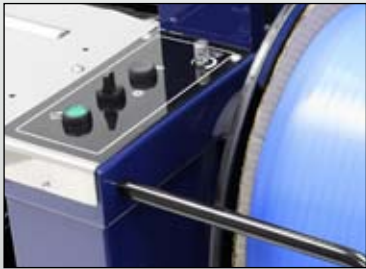
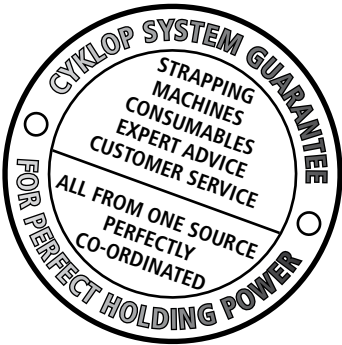


Type Cyklop CI 70

For semi-automatic strapping



The automatic strapper Cyklop CI 70 is suitable for strapping packages, mail-boxes or other products such as printed matter. This machine can be used in various industries. The Cyklop CI 70 strapper is a reliable machine with low maintenance requirements but simple to operate.

Basic features:

Automatic strap feed

The strap from the coil dispenser is placed between the guiding rolls. After activating the start button the strap is fed automatically. The strap reservoir is filled up and the machine is ready to start.

Loop function

Strap cycles having been initiated by error will not cause any problem. The strap is ejected and the next cycle can start again without any trouble.

Strap end sensor

Coil end is detected by a sensor. Remaining strap within the machine will be automatically ejected and the machine is ready for coil change.

Modular strap track system

Modular arch segments made from aluminium.

Adjustable working height

Adjustable spindle legs from 820-1050 mm. Machine movable on castors at 820 mm, 4 castors, two with locking device.

Operation

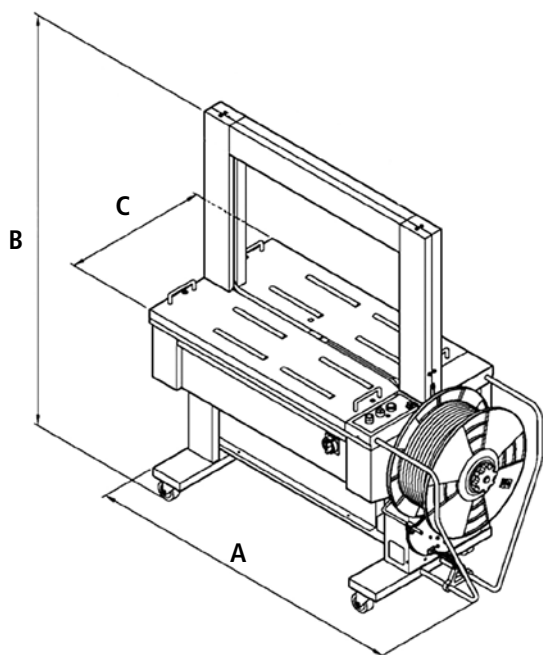
Strap cycle can be started either via push button, foot-pedal or separately by switch on table sensor. When a package / bundle is placed into the machine area, the strap cycle starts automatically.

Strap tension

Pre-selection per potentiometer, continuously variable.

Variable seal time

Pop open of seals on critical products is now history. Selective timing for increased seal efficiency is possible via a switch.



Frame sizes	A	B	C
650 x 600	1430	1540	620
850 x 600	1430	1540	620
850 x 800	1430	1740	620
1250 x 800	1830	1540	620

Technical data:

Capacity, straps/min up to 29 s/min at frame size 650 x 600 mm depending on the pre-selected strapping tension and package size.

Frame sizes available (WxH)

650 mm x 600 mm
850 mm x 600 mm
850 mm x 800 mm
1250 mm x 800 mm

Package weight max. 30 kg

Strap tension stepless adjustable

Strap Polystrap 9 / 12 mm

Sealing method Heat seal

Strap coil

Inner diameter 200 mm
Outer diameter 420 mm
Coil width 190 mm

Power supply 230 V, 50 Hz, 1 Phase

Rating approx. 1 kW total connected load

Total weight approx. 220 kg

Range of temperature min. +10°C max. +40°C

Standard equipment:

- Table release connectable
- Prolonging holding time connectable
- Foot switch

Subject to Modification.

© Copyright 2011 by Cyklop GmbH

Protectory notice pursuant to ISO 16016 to be observed

Cyklop GmbH, Postbox 50 12 20,
50972 Köln, Germany
Industriestraße 133, Rodenkirchen,
50996 Köln, Germany

Phone: ++49(0)2236/602 0,
Fax Sales: ++49(0)2236/602 228
www.cyklop.com,
info@cyklop.de